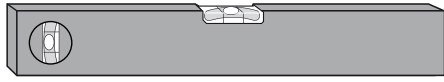


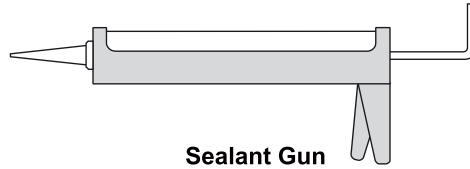
ASSEMBLY GUIDE

QUADRANT

Tool Required



Spirit level



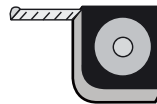
Sealant Gun



Drill



6mm Masonry Drill



Tape Measure



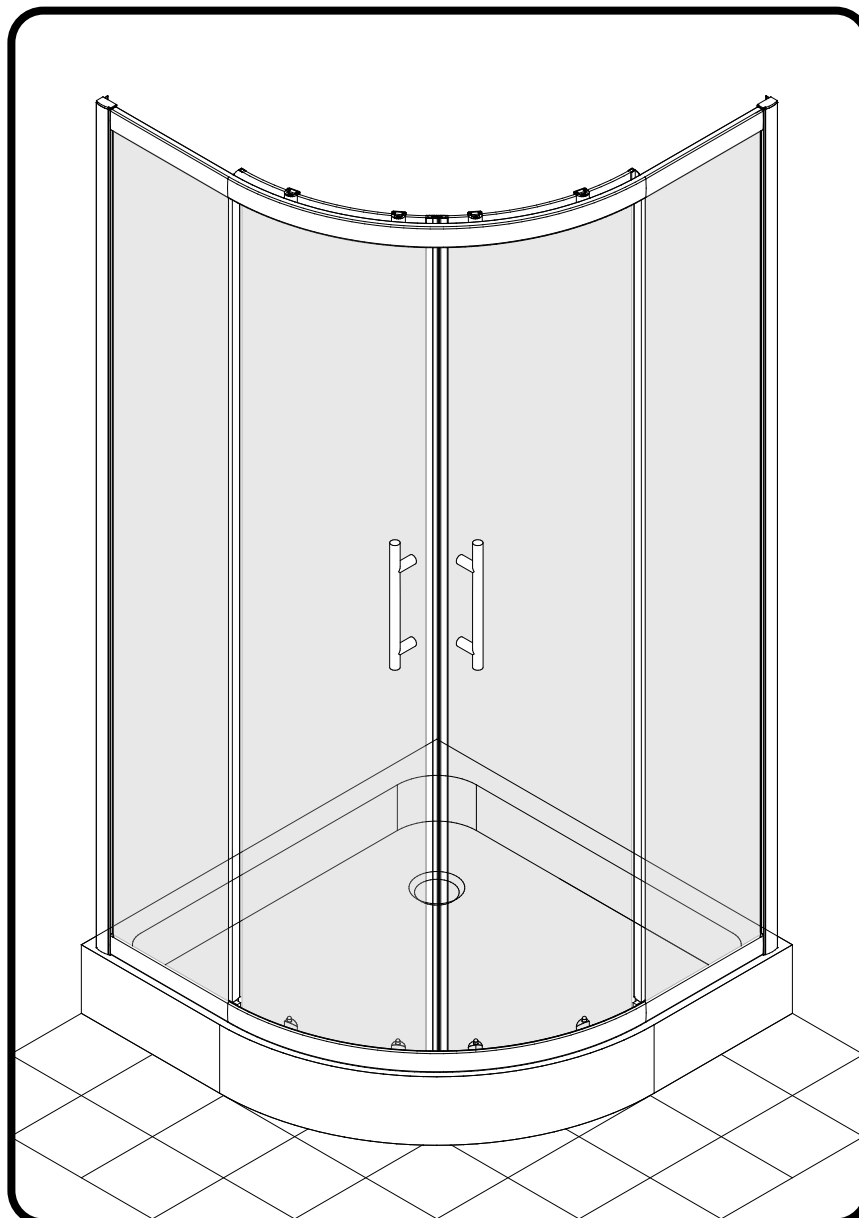
Pencil

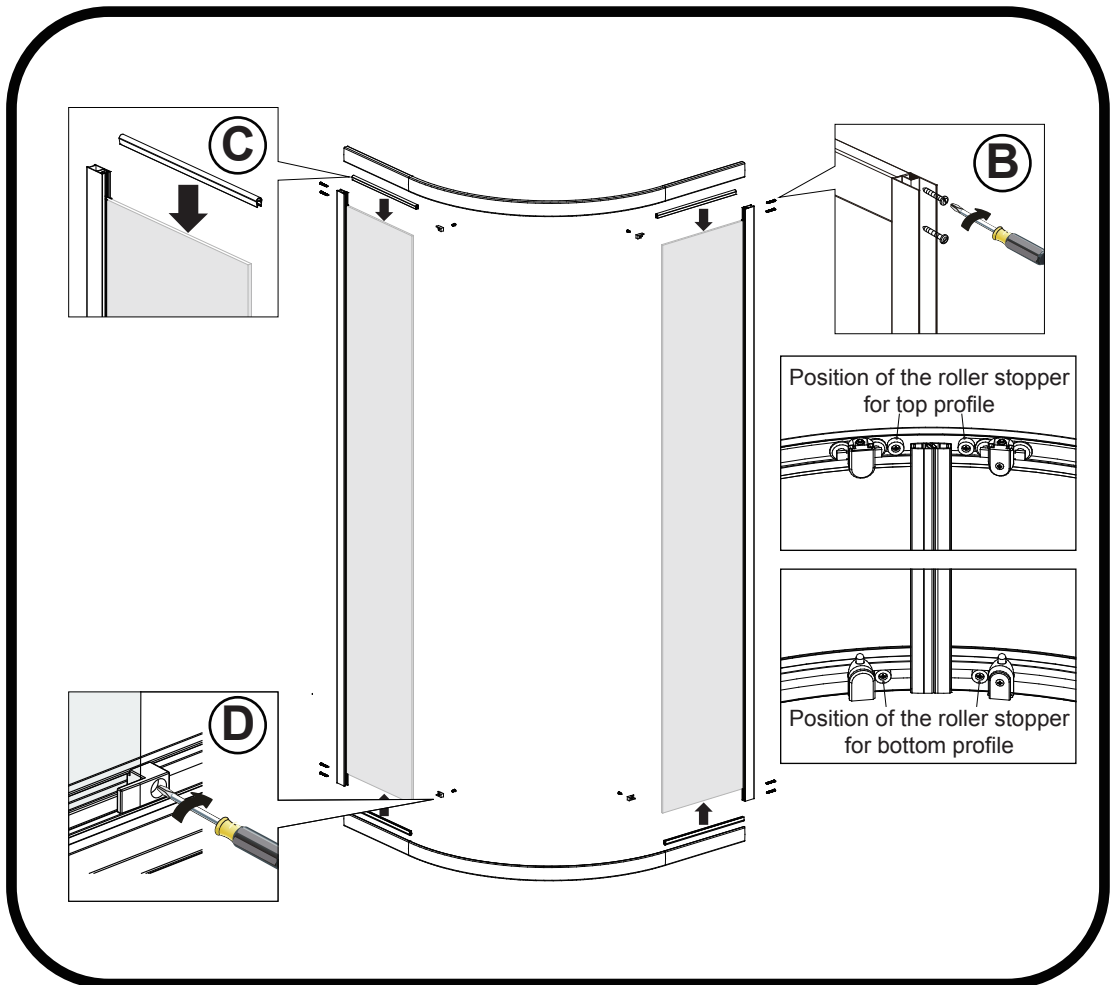
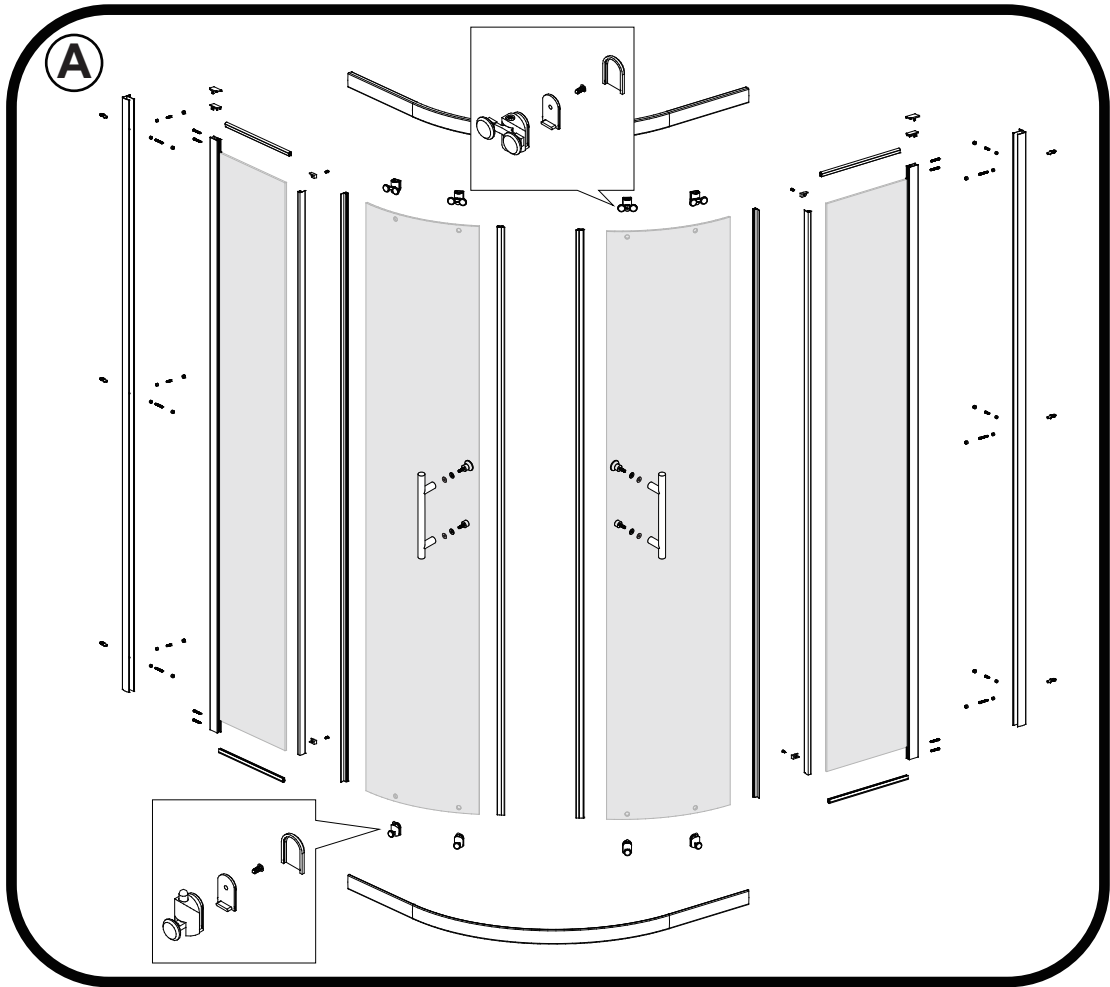


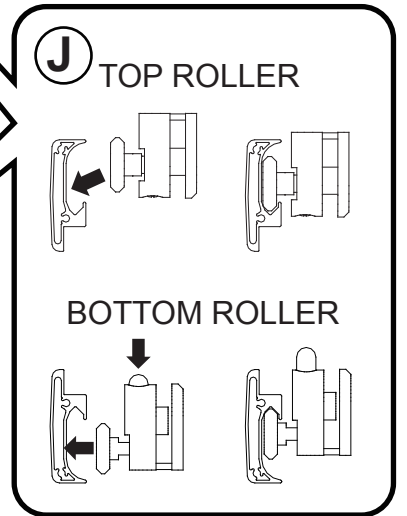
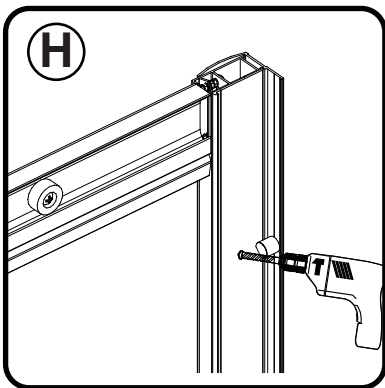
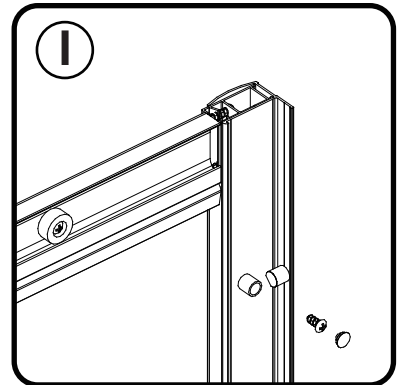
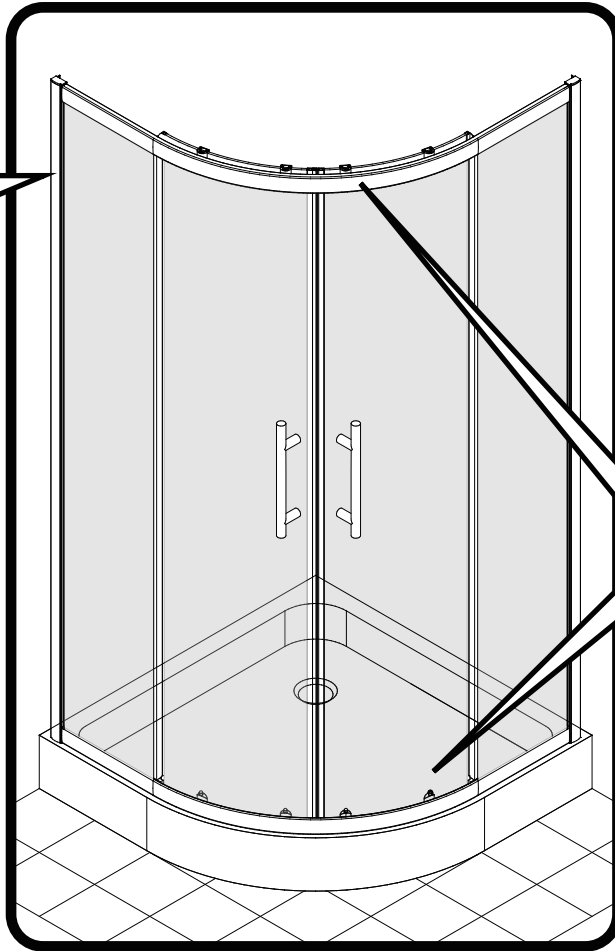
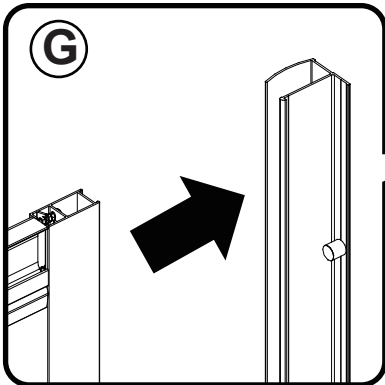
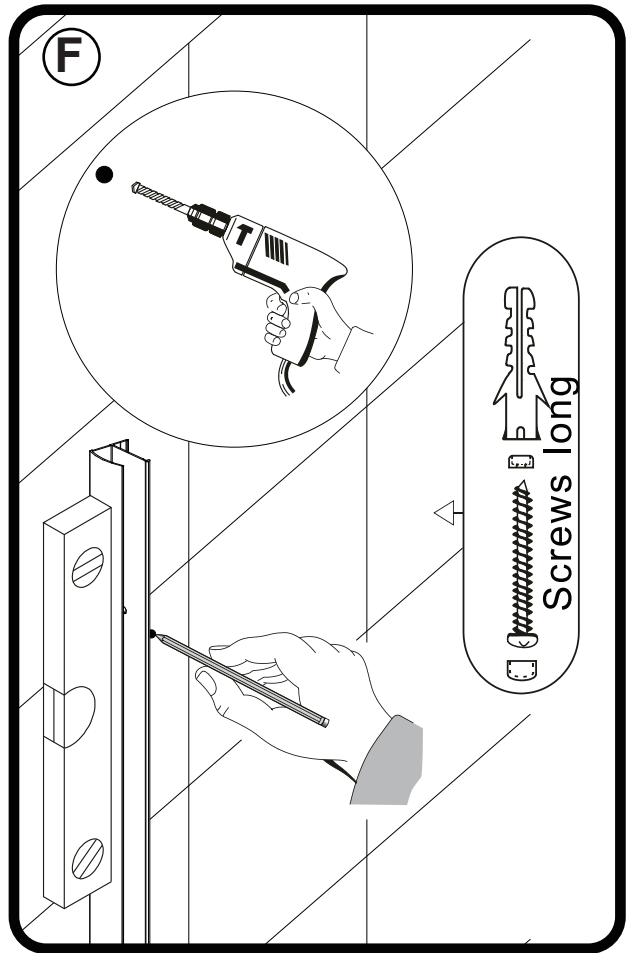
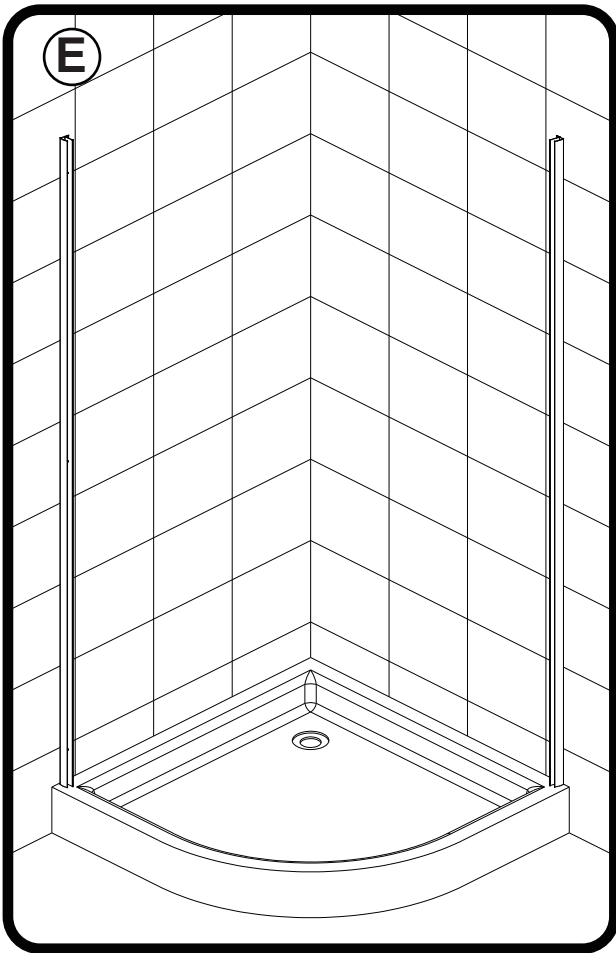
3mm Drill bit

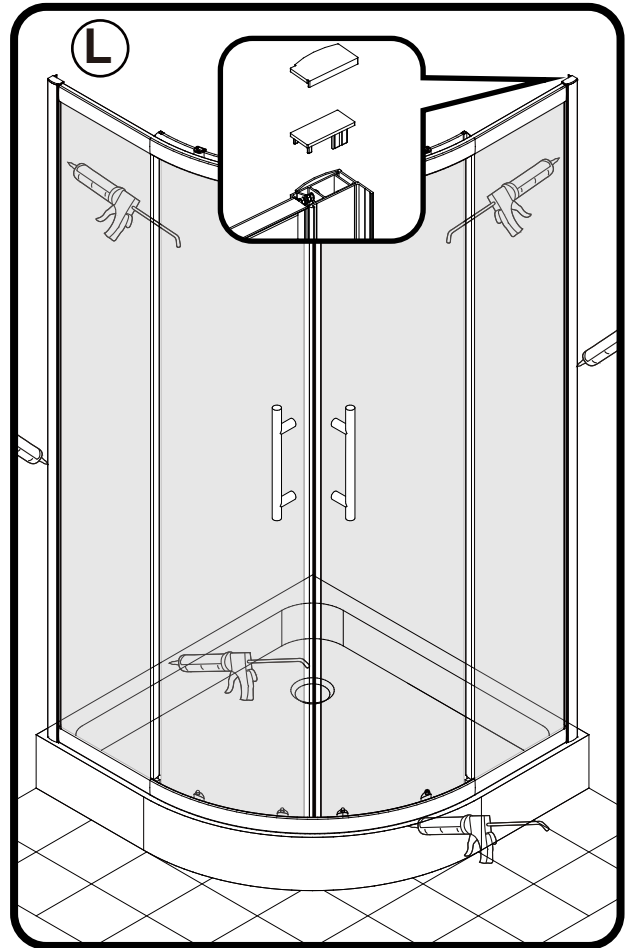
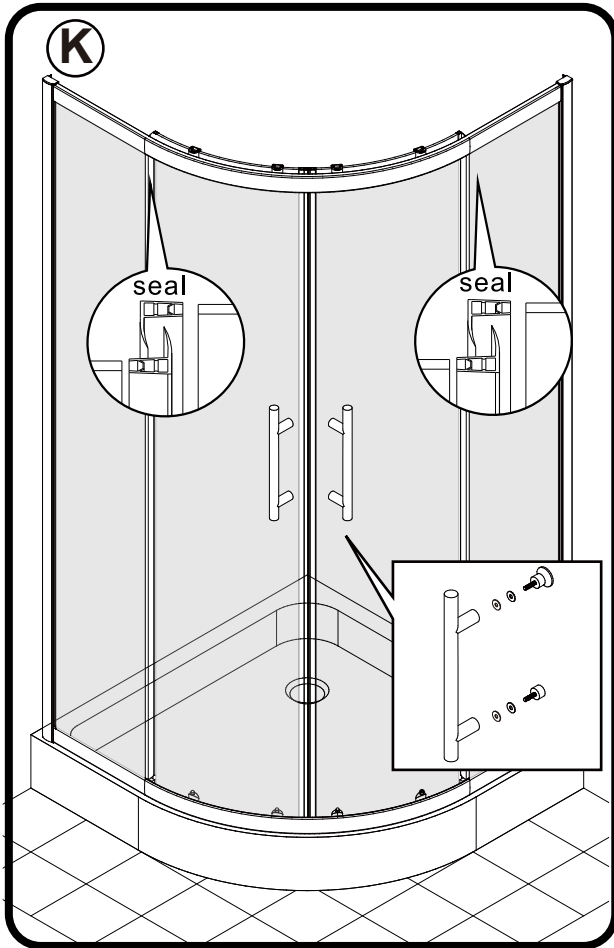


PH2 Screwdriver









Applying Silicone Sealant

Sealing Inside

Seal from the top of the wall profile to the bottom on the **INSIDE** between the wall profile and the wall.
IMPORTANT: Do not apply sealant on inside of tray.

Sealing Outside

Seal only along the bottom rail and glass on the **OUTSIDE** between the profile /glass and the tray. Also up between the wall profile and the wall.
 Seal also the joints between the bottom profile and any upright profiles.

24 HRS	DO NOT USE THE ENCLOSURE FOR 24 HOURS AFTER SEALING